



The presence of unpleasant or excessive concentrations of dissolved minerals in many water supplies effect a food service operation in several ways. Food and beverages taste or appear different. Equipment scales-up and does not function correctly, or over time fails to function at all. Our commercial filters provide high quality water for coffee brewing and drinking water at a reasonable price. Cartridge changes are quick and easy. In many restaurants or coffee shops, operations are seeking ways to supplement or replace their bottled water service that all too often results in significant waste. Picogram has developed our premium food system in respond to this demand. Our food system gives the best solution for the operations and the environment by offering premium water.



Convenient

- Fast & Easy filter replacement by SQC(Sanitary Quick Change)
- Simple installation
- No electricity & Tank requirement

Flexible

- Easy installation with various connection
- 3/8" thread type, 3/8" fitting type
- Series or parallel connection available between RO cartridges
- Various configuration according to installation condition
- Easy expandability
- Easy to install valves, Instruments

Sanitary & Reliable

- Sanitary in design with no contact with the media during cartridge change-out
- No Secondary contamination
- Structure assurance (Satisfaction with NSF Structure test requirement)
- Leakage protection by Dual O-ring.
- NSF standard compliant materials

Applicable

- Multiple application through rich product water at the same time.
- Applicable to drinking water, coffer machine, ice-making, steam heater.



Feature & Application

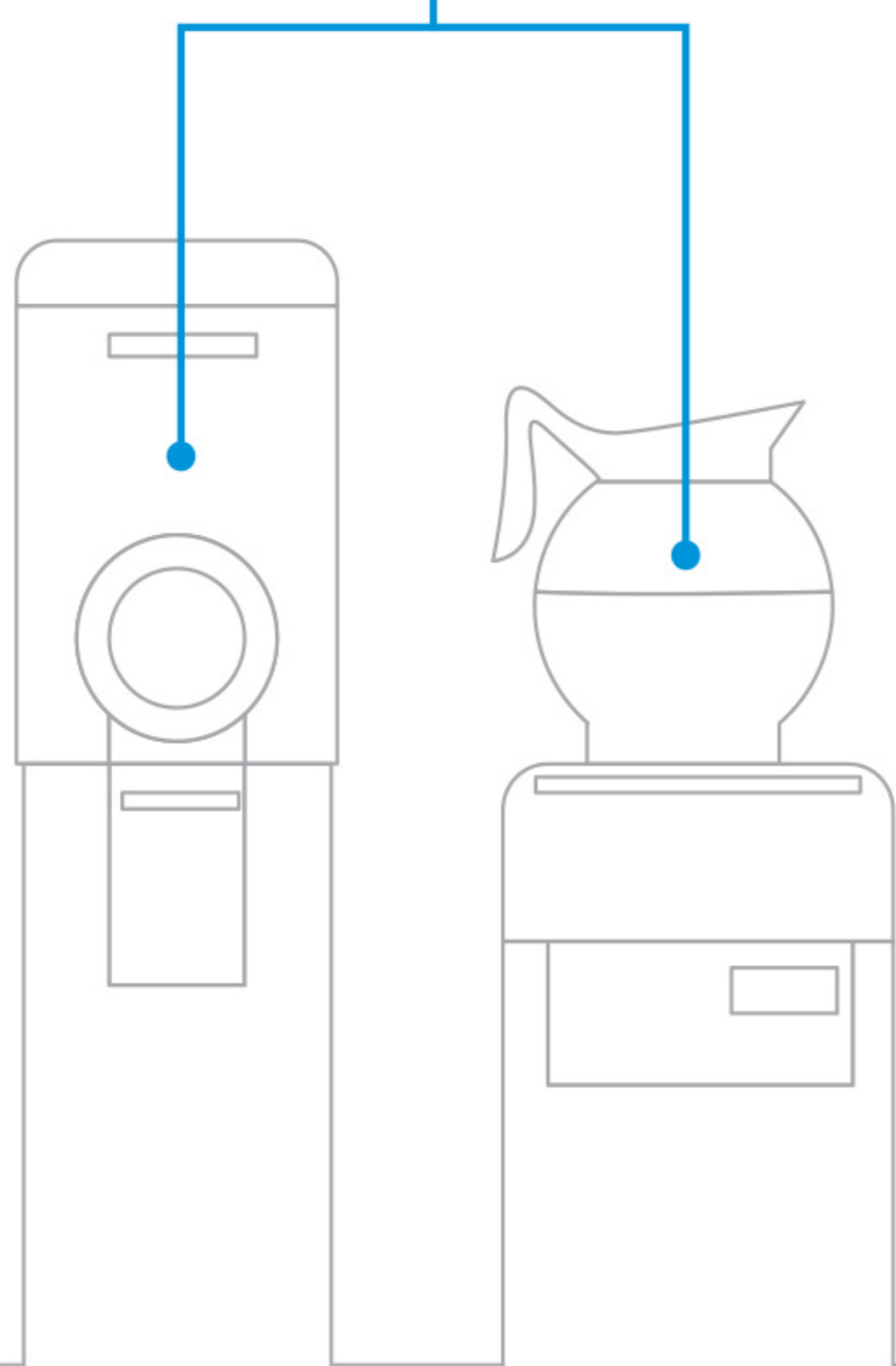
- Chlorine
- Cyst
- Anti-bacterial
- Scale
- Ion exchange

MX-CI 1000
MX-CI 2000

- Scale
- Anti-bacterial
- Cyst
- Chlorine



ICE MAKER
COFFEE

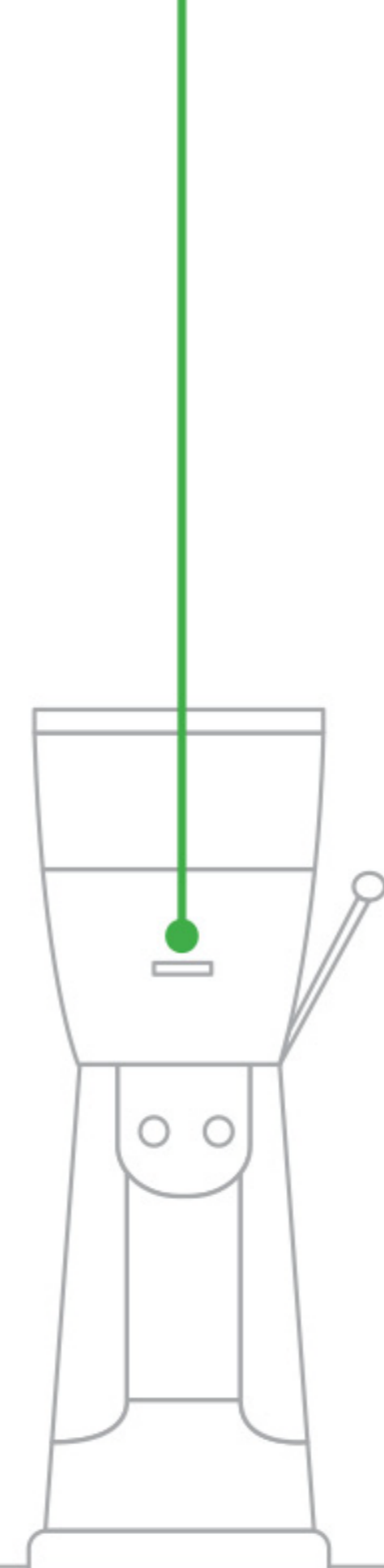


MX-BV 1000
MX-BV 2000

- Anti-bacterial
- Cyst
- Chlorine



COLD BEVERAGE

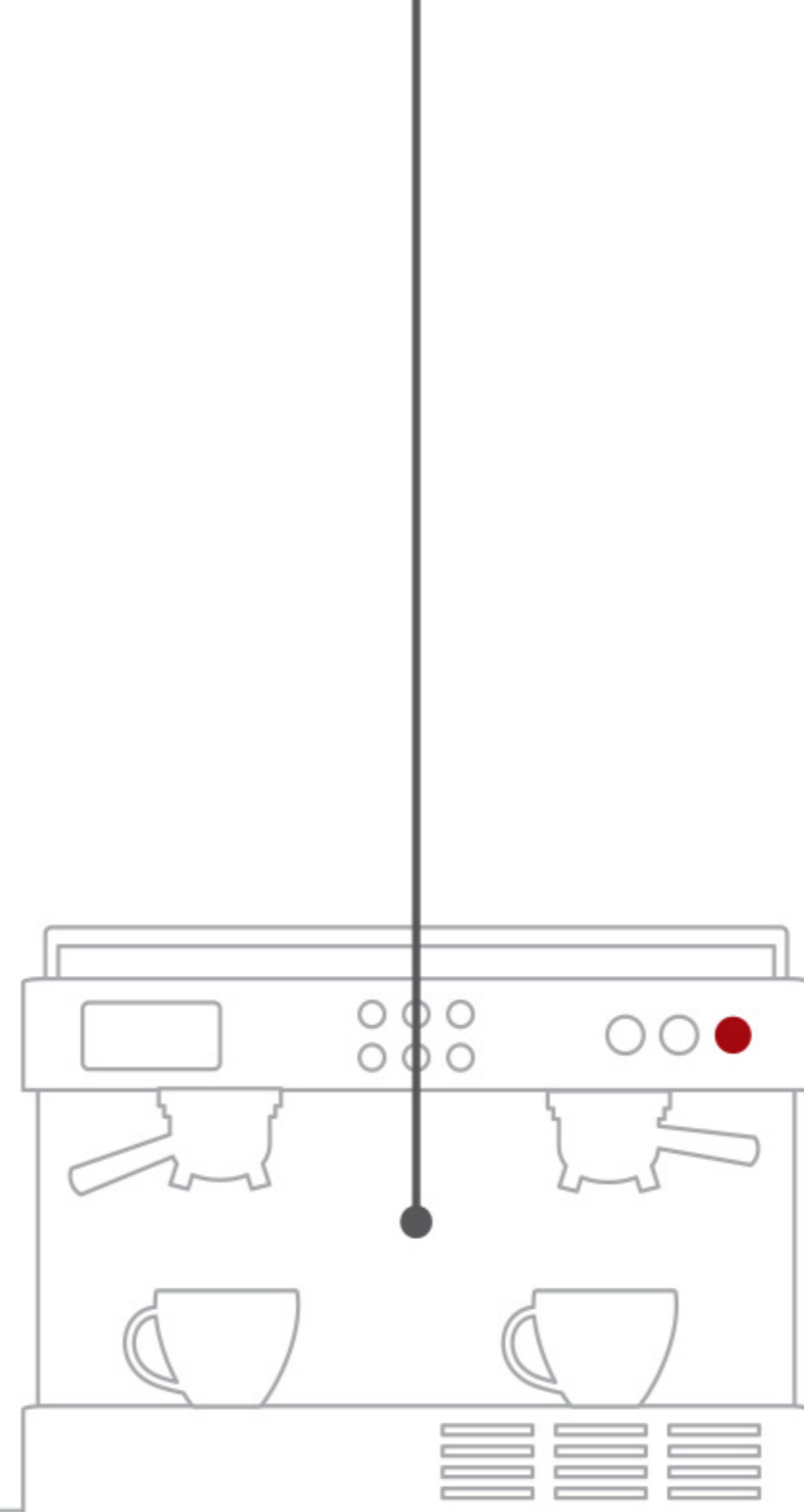


MX-EP 1000
MX-EP 2000

- Ion exchange
- Scale
- Chlorine



ESPRESSO

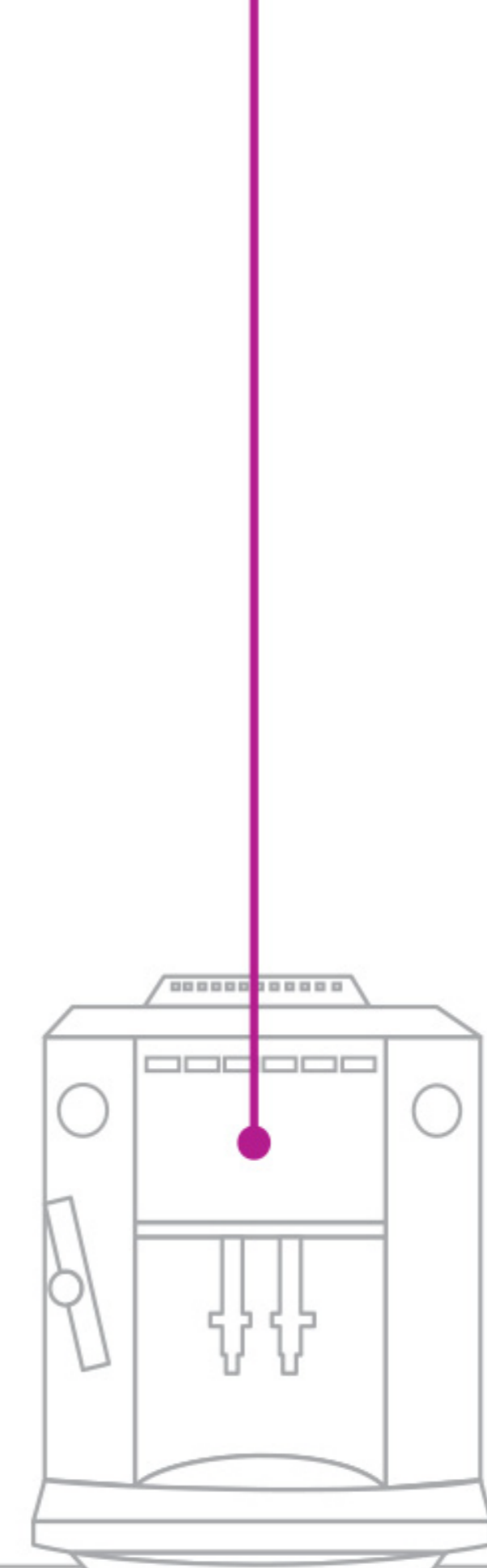


MX-ST 1000
MX-ST 2000

- Scale
- Chlorine



STEAMER

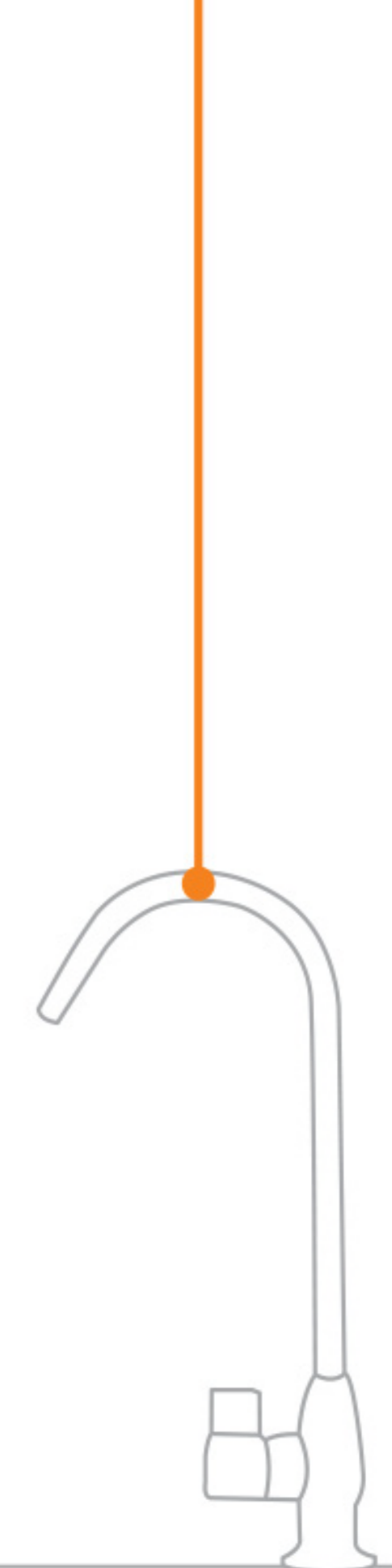


MX-CB1000
MX-CB 2000

- Scale
- Chlorine
- Cyst



COOKING
DRINKING



Model	Chlorine	Cyst	Anti-bacterial	Scale	Flow Rate	Capacity	Replacement Cartridge	Remarks
MX-EP 2000	●			●	11.34LPM	30,000L	EP20	Espresso Softening resin
MX-CI 2000	●	●	●	●	15.2LPM	170,000L	CI20	Coffee & Ice cube VOCs Reduction
MX-ST 2000	●			●	15.2LPM	90,000L	ST20	Steamer
MX-BV 2000	●	●	●		15.2LPM	170,000L	BV20	Cold beverage VOCs Reduction
MX-CB 2000	●	●		●	15.2LPM	113,550L	CB20	Cooking & Drinking Water



Components for MAXTREAM

Maxtream Filters & Set



MXEP1000
MXEP2000



MXST1000
MXST2000



MXBV1000
MXBV2000




MXCI1000
MXCI2000



MXCB1000
MXCB2000

MAXTREAM Commercial Filters

Product Code	Description	Case Q'ty	Box Dimension (mm)	Weight (kg)
MXCB15	MAXTREAM 15" CB-15 Carbon Block Filter (Scale inhibitor)	6	385 X 265 X 400	8
MXCB20	MAXTREAM 20" CB-20 Carbon Block Filter (Scale inhibitor)	6	385 X 265 X 530	11
MXEP20	MAXTREAM 20" EP-20 Filter (Sediment + Carbon + Ion exchange resin + Scale inhibitor)	6	385 X 265 X 530	12
MXST20	MAXTREAM 20" ST-20 Filter (Double Sediment + Carbon + Scale inhibitor)	6	385 X 265 X 530	10
MXBV20	MAXTREAM 20" BV-20 Filter (Cyst reduction Carbon + Anti-bacterial ceramic)	6	385 X 265 X 530	11
MXCI20	MAXTREAM 20" CI-20 Filter (Cyst reduction Carbon + Anti-bacterial ceramic + Scale inhibitor)	6	385 X 265 X 530	11
MXCC15	MAXTREAM 15" CC-15 Filter (Cyst reduction)  (Listed No. PPC6T1F15XXZ)	6	385 X 265 X 400	8

MAXTREAM Commercial Set

Product Code	Description	Case Q'ty	Box Dimension (mm)	Weight (kg)
MXCB1000	MAXTREAM 1 stage 20" MX-CB 1000 Carbon Block Filter (Scale inhibitor)	1	685 X 285 X 290	11
MXEP1000	MAXTREAM 1 stage 20" MX-EP 1000 Filter (Sediment + Carbon + Ion exchange resin + Scale inhibitor)	1	686 X 285 X 290	10
MXST1000	MAXTREAM 1 stage 20" MX-ST 1000 Filter (Double Sediment + Carbon + Scale inhibitor)	1	687 X 285 X 290	10
MXBV1000	MAXTREAM 1 stage 20" MX-BV 1000 Filter (Cyst reduction Carbon + Anti-bacterial ceramic)	1	688 X 285 X 290	11
MXCI1000	MAXTREAM 1 stage 20" MX-CI 1000 Filter (Cyst reduction Carbon + Anti-bacterial ceramic + Scale inhibitor)	1	689 X 285 X 290	11
MXCB2000	MAXTREAM 2 stage 20" MX-CB 2000 Carbon Block Filter (Scale inhibitor) • Parallel connection	1	690 X 265 X 295	10
MXEP2000	MAXTREAM 2 stage 20" MX-EP 2000 Filter (Sediment + Carbon + Ion exchange resin + Scale inhibitor) • Parallel connection	1	691 X 265 X 295	9
MXST2000	MAXTREAM 2 stage 20" MX-ST 2000 Filter (Double Sediment + Carbon + Scale inhibitor) • Parallel connection	1	692 X 265 X 295	9
MXBV2000	MAXTREAM 2 stage 20" MX-BV 2000 Filter (Cyst reduction Carbon + Anti-bacterial ceramic) • Parallel connection	1	693 X 265 X 295	10
MXCI2000	MAXTREAM 2 stage 20" MX-CI 2000 Filter (Cyst reduction Carbon + Anti-bacterial ceramic + Scale inhibitor) • Parallel connection	1	694 X 265 X 295	10



Components for MAXTREAM

Maxtream Head Connector



MXHD01



MXHD02



MXHD03



MXSHD01



MXSHD02



MXSHD03



MXSHD04



MXSHD05



MXSHD06



MXSHD07

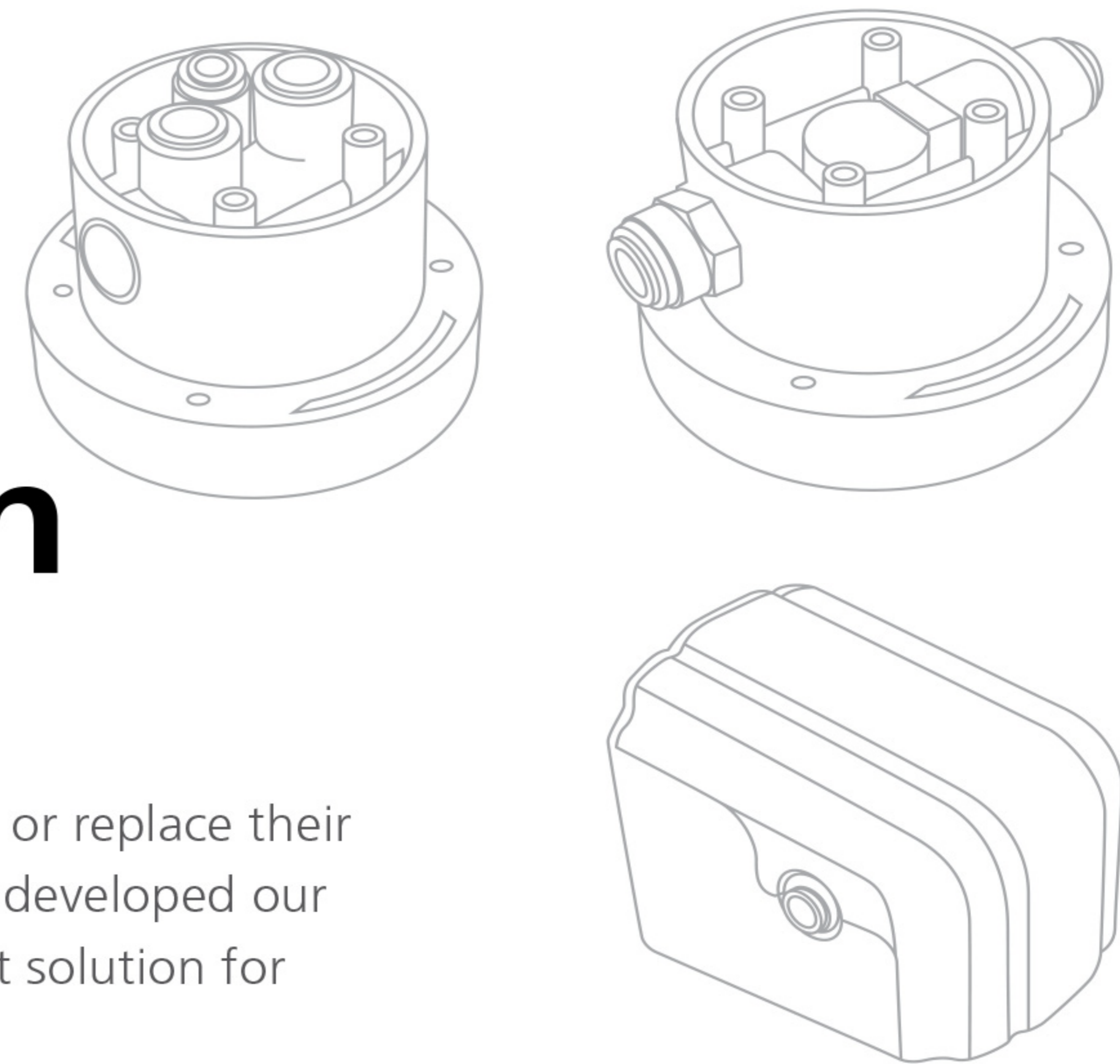
The presence of unpleasant or excessive concentrations of dissolved minerals in many water supplies effect a food service operation in several ways. Food and beverages taste or appear different. Equipment scales-up and does not function correctly, or over time fails to function at all. Our commercial filters provide high quality water for coffee brewing and drinking water at a reasonable price. With an automatic water shut off feature built into the filter head, cartridge changes are quick and easy.

Product Code	Description	Ports	Application	Case Q'ty	Box Dimension (mm)	Weight (kg)
MXHD01	MAXTREAM PnP-CM 1 stage head connector	3/8" inlet quick side + 3/8" outlet quick side	Filtration	27	485 X 280 X 222	14
MXHD02	MAXTREAM PnP-CM 2 stage head connector	3/8" inlet quick on top + 3/8" outlet quick on top	Filtration	5	485 X 280 X 250	6
MXHD02	MAXTREAM PnP-CM 3 stage head connector	3/8" inlet quick on top + 3/8" outlet quick on top + 3/8" brine quick on top	R.O	5	485 X 280 X 250	9
MXHD01	MAXTREAM Single Commercial head	3/8" inlet quick on top + 3/8" outlet quick on top	Filtration	48	394 X 300 X 295	11
MXHD02	MAXTREAM Single Commercial head	3/8" inlet quick side + 3/8" outlet quick side	Filtration	48	395 X 300 X 295	11
MXHD03	MAXTREAM Single Commercial head	3/8" inlet screw side+ 3/8" outlet screw side	Filtration	48	396 X 300 X 295	11
MXHD04	MAXTREAM Single Commercial head	3/8" inlet quick on top + 3/8" outlet quick on top + 3/8" brine quick on top	R.O	48	397 X 300 X 295	11
MXHD05	MAXTREAM Single Commercial head	3/8" inlet quick side + 3/8" outlet quick side + 3/8" brine quick on top	R.O	48	398 X 300 X 295	11
MXHD06	MAXTREAM Single Commercial head	3/8" inlet screw side+ 3/8" outlet screw side + 3/8" brine quick on top	R.O	48	399 X 300 X 295	11
MXHD07	MAXTREAM Single Commercial head with casing	3/8" inlet quick side+ 3/8" outlet quick side	Filtration	27	370 X 337 X 355	8



Components for MAXTREAM

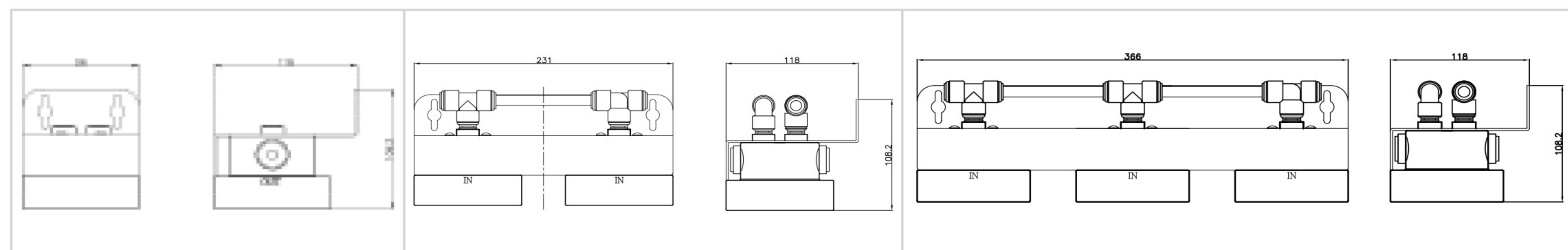
Commercial Head Connector, Dimension



In many restaurants or coffee shops, operations are seeking ways to supplement or replace their bottled water service that all too often results in significant waste. Picogram has developed our premium food system in respond to this demand. Our food system gives the best solution for the operations and the environment by offering premium water.

	Option1	Option2	Option3
Filtration	<p>PNPCMSHD3</p>	<p>PNPCMSHD2</p>	<p>PNPCMSHD1</p>
R/O	<p>PNPCMSHD6</p>	<p>PNPCMSHD5</p>	<p>PNPCMSHD4</p>

Drawing




Components for MAXTREAM Commercial Filters



H1

Filter Size	H1
20"	Ø3.93" X 20"
	(Ø100 X 508)mm
15"	Ø3.93" X 15"
	(Ø100 X 381)mm

Product Code	Description	Case Q'ty	Box Dimension (mm)	Weight (kg)
MXFT01	MAXTREAM Commercial Filter 20" Carbon filter (GAC)	6	385 X 265 X 530	12
MXFT02	MAXTREAM Commercial Filter 20" Carbon filter (GAC) (Scale inhibitor)	6	385 X 265 X 530	12
MXFT03	MAXTREAM Commercial Filter 20" Carbon Block Filter	6	385 X 265 X 530	11
MXFT04	MAXTREAM Commercial Filter 20" Carbon Block Filter (Lead reduction)	6	385 X 265 X 530	11
MXFT05	MAXTREAM Commercial Filter 20" Carbon Block Filter (Scale inhibitor)	6	385 X 265 X 530	11
MXFT06	MAXTREAM Commercial Filter 20" Carbon Block Filter (Lead reduction & Scale reduction)	6	385 X 265 X 530	11
MXFT07	MAXTREAM Commercial Filter 20" Carbon Block Filter (Cyst reduction)	6	385 X 265 X 530	11
MXFT08	MAXTREAM Commercial Filter 20" Carbon Block Filter (Lead reduction & Cyst reduction)	6	385 X 265 X 530	11
MXFT09	MAXTREAM Commercial Filter 20" Carbon Block Filter (Scale inhibitor & Cyst reduction)	6	385 X 265 X 530	11
MXFT10	MAXTREAM Commercial Filter 20" Carbon Block Filter (Lead reduction & Scale reduction & Cyst reduction)	6	385 X 265 X 530	11
MXFT11	MAXTREAM Commercial Filter 20" UF + Carbon Block Filter	6	385 X 265 X 530	10
MXFT12	MAXTREAM Commercial Filter 20" UF + Carbon Block Filter (Lead reduction)	6	385 X 265 X 530	10
MXFT13	MAXTREAM Commercial Filter 20" UF compound Filter (Scale inhibitor)	6	385 X 265 X 530	9
MXFT14	MAXTREAM Commercial Filter 20" UF compound Filter (Lead reduction & Scale inhibitor)	6	385 X 265 X 530	9
MXFT15	MAXTREAM Commercial Filter 20" R.O Membrane Filter (350GPD)	6	385 X 265 X 530	12
MXFT16	MAXTREAM Commercial Filter 15" Carbon filter (GAC)	6	385 X 265 X 400	9
MXFT17	MAXTREAM Commercial Filter 15" Carbon filter (GAC) (Scale inhibitor)	6	385 X 265 X 400	9
MXFT18	MAXTREAM Commercial Filter 15" Carbon Block Filter	6	385 X 265 X 400	8
MXFT19	MAXTREAM Commercial Filter 15" Carbon Block Filter (Lead reduction)	6	385 X 265 X 400	8
MXFT20	MAXTREAM Commercial Filter 15" Carbon Block Filter (Scale inhibitor)	6	385 X 265 X 400	8
MXFT21	MAXTREAM Commercial Filter 15" Carbon Block Filter (Lead reduction & Scale reduction)	6	385 X 265 X 400	8
MXFT22	MAXTREAM Commercial Filter 15" Carbon Block Filter (Cyst reduction)  (Listed No. PFC3215WCWT8)	6	385 X 265 X 400	8
MXFT23	MAXTREAM Commercial Filter 15" Carbon Block Filter (Lead reduction & Cyst reduction)	6	385 X 265 X 400	8
MXFT24	MAXTREAM Commercial Filter 15" Carbon Block Filter (Scale inhibitor & Cyst reduction)	6	385 X 265 X 400	8
MXFT25	MAXTREAM Commercial Filter 15" Carbon Block Filter (Lead reduction & Scale reduction & Cyst reduction)	6	385 X 265 X 400	8
MXFT26	MAXTREAM Commercial Filter 15" UF + Carbon Block Filter	6	385 X 265 X 400	7
MXFT27	MAXTREAM Commercial Filter 15" UF + Carbon Block Filter (Lead reduction)	6	385 X 265 X 400	7
MXFT28	MAXTREAM Commercial Filter 15" R.O Membrane Filter (250GPD)	6	385 X 265 X 400	9
MXFT29	MAXTREAM Commercial Filter 15" EFRO Membrane Filter (400GPD)	6	385 X 265 X 400	9



Maxtream Hybrid Filter System

Picogram New Technology

MaXtream hybrid



PPC-200

The hybrid water purification system with the excellent performance developed by the cutting edge technology in Korea. ESPRESSO / COFFEE / BEVERAGE / DRINKING WATER / ICE MAKER / STEAM / DISH WASHER



HC20

3 Filtration Steps in one filter
High removal performance of Cyst, Residual Chlorine, VOCs, fine particle High flow rate



High Flow



Easy Filter Exchange



High Performance



No Power Required



Pure & Good Taste of Water



Certified KC Mark

Product Code	Description	Ports	Case Q'ty	Box Dimension (mm)	Weight (kg)
MXHHD01	Maxtream hybrid Head Connector 1 stage	3/8 inlet, 3/8 outlet	8	560 X 420 X 250	9
MXHHD02	Maxtream hybrid Head Connector 2 stage (series)	3/8 inlet, 3/8 outlet	4	560 X 420 X 250	9
MXHHD03	Maxtream hybrid Head Connector 2 stage (parallel)	3/8 inlet, 3/8 outlet	4	560 X 420 X 250	9
MXHFT01	Maxtream hybrid 15" Filter	Turn type	6	385 X 265 X 400	10
MAHC20	Maxtream 20" HC20 Filter	Turn type	6	385 X 265 X 530	12